

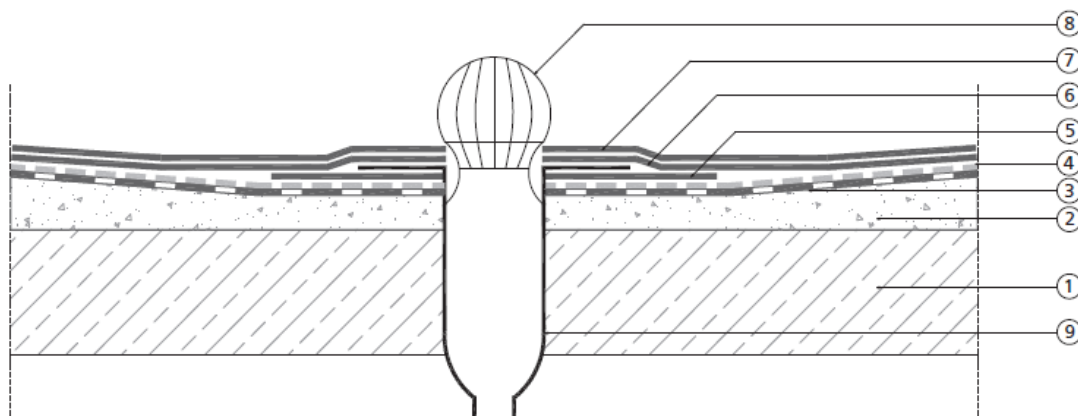
## Topic 6 WATER ISOLATION

Practical Exercise -3:

*Working with a sample image*

Place the terms in their correct place on the scheme.

*Detail of a two-layer (cold) flat roof waterproofing system with a bituminous polymer-based membrane (in the outlet area)*



Protective felt

Strengthening layer of bitumen-polymer membrane (min. 50x50)

Reinforced concrete deck

Waterproof bituminous membrane (2nd layer, with mineral paving coat or no paving coat in case there is solid protection, warm roof covering or green roof)

Built-up waterproofing

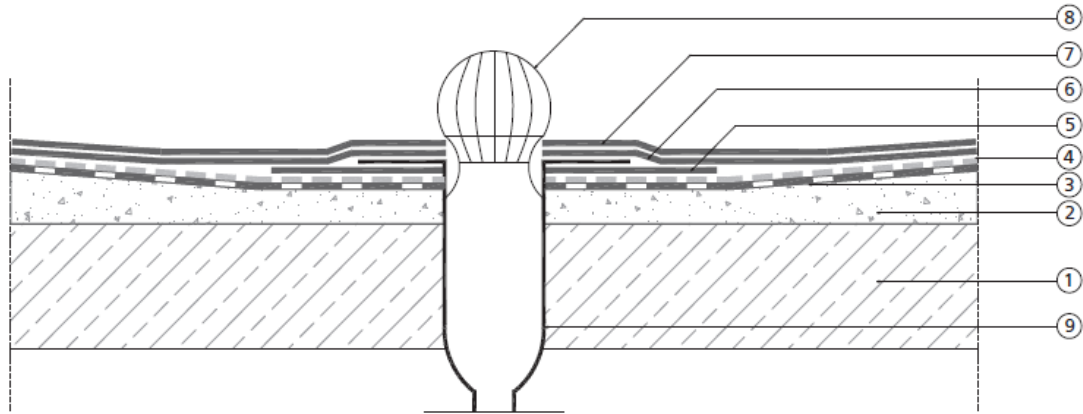
Bitumen prime

Cement slope plaster (concrete)

Waterproof bituminous membrane (1st layer, no paving coat)

Outlet

*Detail of a two-layer (cold) flat roof waterproofing system with a bituminous polymer-based membrane (in the outlet area)*



1. Reinforced concrete deck
2. Cement slope plaster (concrete)
3. Built-up waterproofing
4. Bitumen prime
5. Strengthening layer of bitumen-polymer membrane (min. 50x50)
6. Waterproof bituminous membrane (1st layer, no paving coat)
7. Waterproof bituminous membrane (2nd layer, with mineral paving coat or no paving coat in case there is solid protection, warm roof covering or green roof)
8. Protective felt
9. Outlet