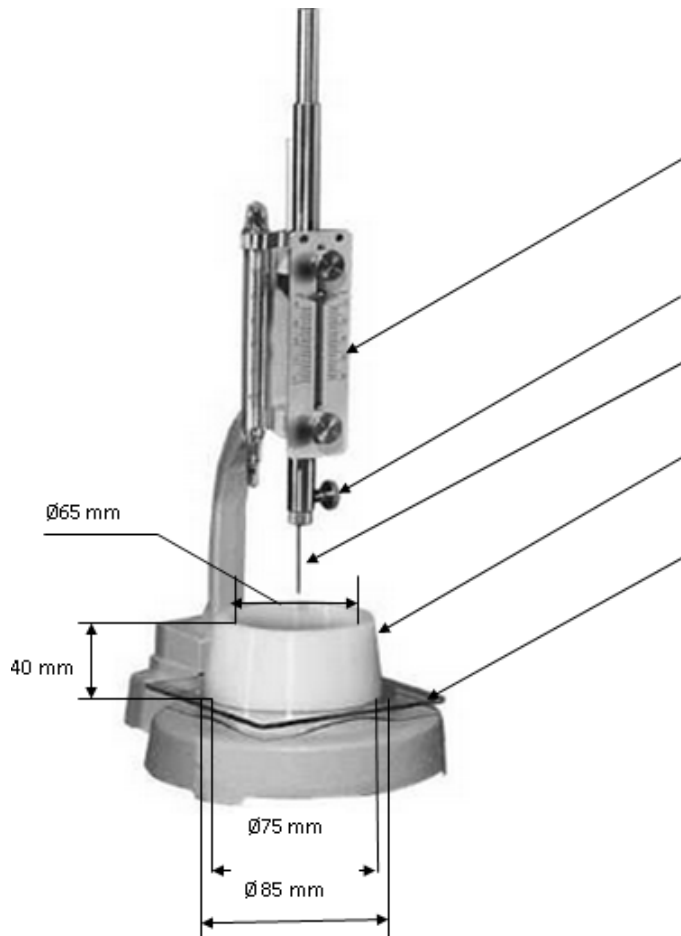


## Topic 2 INTERNAL PLASTERS

Practical Exercise -2:

*Working with a sample image*

In the picture you see Vicat apparatus. Put the names in the appropriate place.



Cut cone ring

Glass washer approx. 150 mm

Needle ( $\varnothing \pm 0.05 \text{ mm}$ )

Input depth reading scale

Needle Release screw

Vicat apparatus

