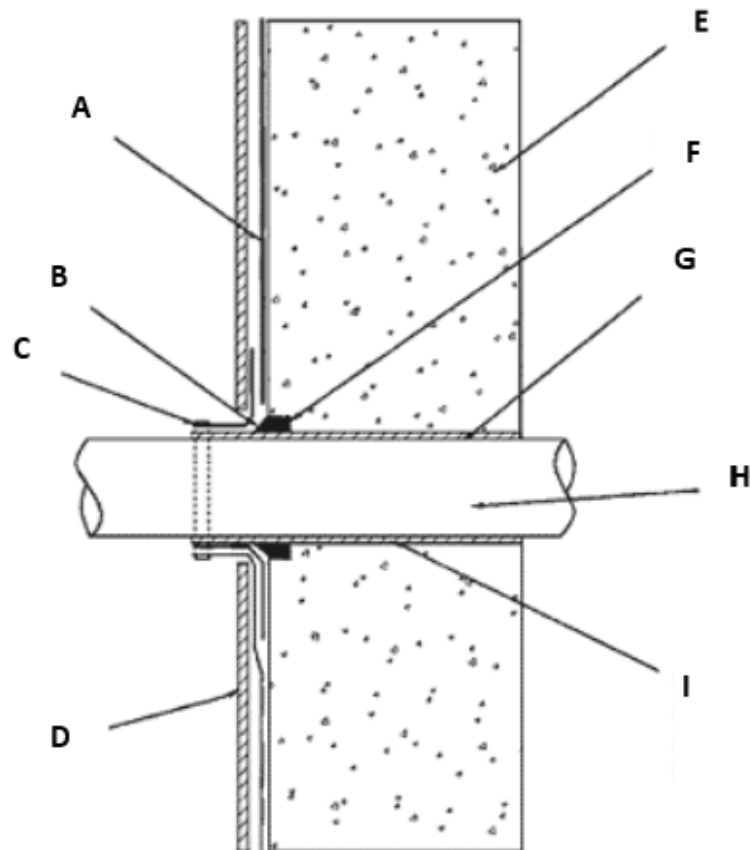


Topic 11
THERMAL INSULATION OF PIPES

Practical Exercise -1:

Working with a sample image

Penetration detail for membrane waterproofing applications can be seen in the picture. Parts of the detail are shown in letters. Examining the detail, write the right letter next to the explanations below.



Penetration detailing for membrane waterproofing applications.

- : FILLET
- : OPTIONAL CLAMPING RING
- : FOUNDATION WALL
- : SEALANT BETWEEN SLEEVE AND WALL
- : SEAL BETWEEN PIPE AND SLEEVE
- : MEMBRANE WATERPROOFING
- : PIPE
- : PROTECTION COURSE
- : PIPE SLEEVE EXTENDING MIN. 4 INCHES

